



DAVIS LIGHTING

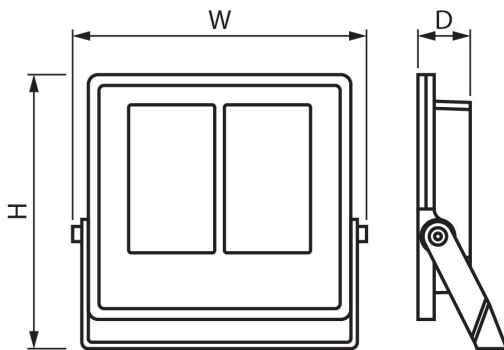
FLA Series

Installation Instructions



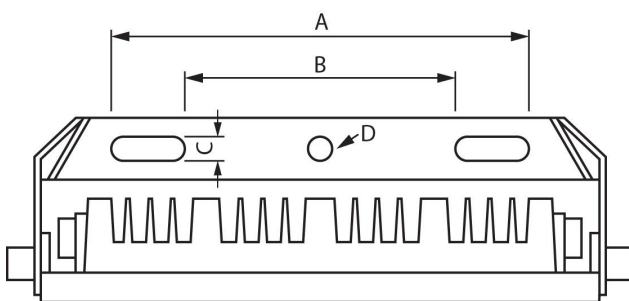
Read all instructions to prevent injury, electric shock or damage due to fire & mechanical hazard

LUMINAIRE DIMENSION:



Model	Dimension
FLA10G1xK03	124 (W) x 115 (H) x 32 (D)
FLA20G1xK03	151 (W) x 179 (H) x 35 (D)
FLA30G1xK03	151 (W) x 179 (H) x 35 (D)
FLA50G1xK03	197 (W) x 179 (H) x 35 (D)
FLA100G1xK03	254 (W) x 234 (H) x 42 (D)
FLA150G1xK03	348 (W) x 324 (H) x 47 (D)
FLA200G1xK03	348 (W) x 324 (H) x 47 (D)

TRUNNION ARM DIMENSION:



Model	Dimension (mm)			
	A	B	C	D
FLA10G1xK03	72	32	8	8
FLA20G1xK03	92	52	8	8
FLA30G1xK03	92	52	8	8
FLA50G1xK03	122	72	8	8
FLA100G1xK03	170	110	10	10
FLA150G1xK03	220	140	10	10
FLA200G1xK03	220	140	10	10

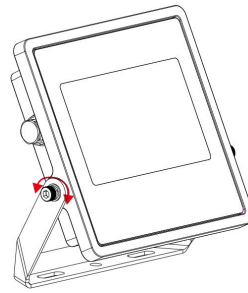
CAUTIONS:

- Installation is to be completed by a competent licensed electrician, in accordance with these instructions and relevant local regulations.
- Electronic control equipment must not be subjected to high voltages, DO NOT MEGGER between Live and Neutral.
- All cable/conduit terminations must be installed in accordance with the designated IP rating of this product.
- Suitable installation fastening methods should be employed to ensure the mounting points are not damaged when subjected to vibration and or movement.
- As is the case with all electronic components, it is advisable to fit appropriate surge protection to final sub circuits.
- Choose an installation place capable to withstand 10 times the weight of the product to ensure safety.

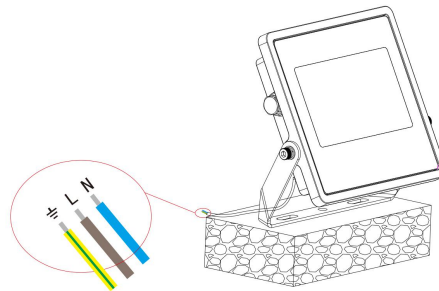
INSTALLATION:

1. Loosen trunnion arm bolts, adjust to desired angle and fasten the bolt using hex key.

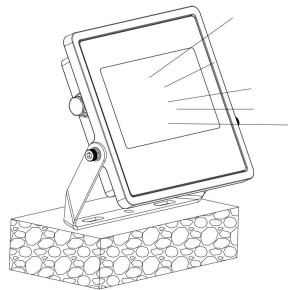
Key Size	Model
5mm	10W / 20W / 30W / 50W
6mm	100W
8mm	150W / 200W



2. Mount the fitting to wall or ground and connect to power supply.



3. Turn on power.



MAINTENANCE:

The supply must be isolated before opening or accessing the luminaire. Product maintenance is critical to the product designed performance. The product is to be maintained in accordance with the manufacturer's instructions. For the latest product maintenance guides please go to www.davislighting.com. Davis Lighting is not responsible for any product not maintained in accordance with the recommended procedure or intervals. The light source of this luminaire is non-replaceable; if the light source should become faulty or expire then the entire luminaire will need to be replaced. Products supplied with visors or covers must not be operated with a damaged visor or cover; it is recommended damaged visors or covers be replaced by a competent person immediately.

Warning: Maximum loading of earth leakage and circuit protection device.

Note

- The maximum number of ballasts/drivers connected to earth leakage circuit protection device shall not be greater than 6 units for fixed output on MCB 16A or that as recommended by the protective device supplier/manufacturer whichever is the smaller number.
- The maximum loading of automatic circuit breakers shall not be greater than those shown in the table supplied by the control gear manufacturer or that as recommended by the protective device supplied/manufacturer whichever is the smaller number.

