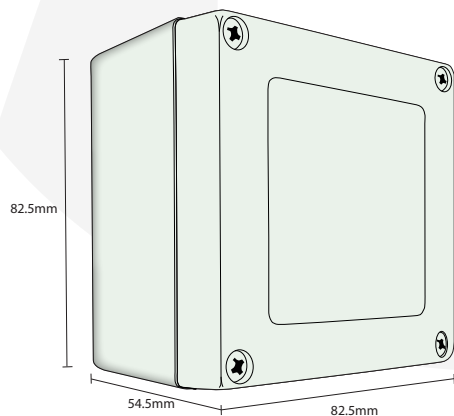


DAY / NIGHT SWITCH - HDAD



- 15amp Switch Rating
- IP65 Weatherproof Rating
- Voltage Rating: 220 - 250v
- Rated Current: Resistive - 15amps
Inductive - 3600VA
- Frequency: 50 / 60 Hz
- Switching cycles on resistive load: > 200 000
- Adjustable Switching LUX Level: 20 - 200Lux
- Adjustable 'On' Time
- Volt Drop after 1000c at 1800VA load: < 100mV
- 1 Year Warranty
- UV Stable Acrylic Lens
- Unique N/C 'Fail On' circuitry
- Minimum Load: 100mA



Code	Description	Packing	MOQ	Ctn
FSW-12220	HDAD 20amp Square Programmable	5	1	30