

► Technical parameters of outdoor station

Product Material	aluminium alloy
Camera resolution	1080P 2M AHD
Working voltage	DC12V
Operating temperature	-20°C ~ +55°C
Operating current	100mA
Standby current	10-20mA
Installation Method	wall mounting type
Installation Dimension	135X96X45mm

► Technical parameters of Indoor unit

Working voltage	DC12V
Talk duration	120s
Talk way	two-way communication
Operating temperature	-20°C ~ +55°C
Operating current	200mA
Standby current	10-20mA
Display Screen	seven-inch color LCD screen
Resolution	1024×600

4WIRES INTERCOM SYSTEM MANU

AHD Video Door Phone

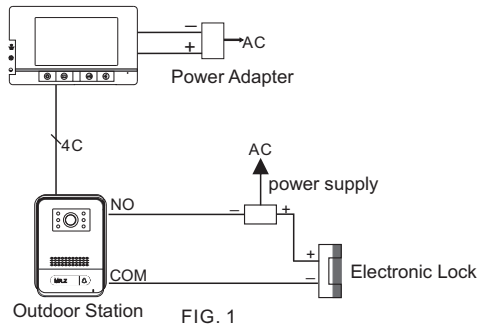
OPERATING AND INSTALLATION GUIDE

AHD VIDEO DOOR PHONE

4-wire villa intercom system diagram1

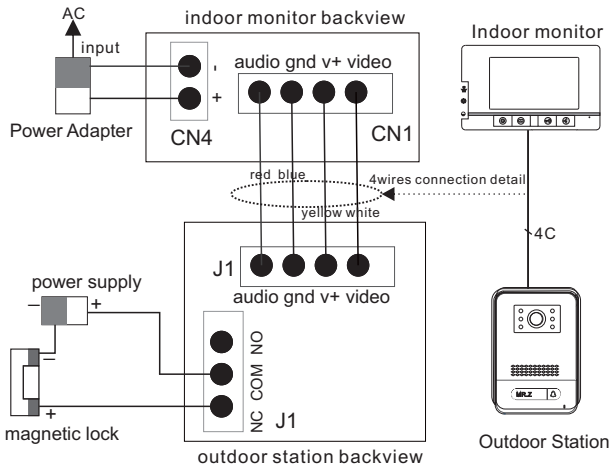
Standard Set Diagram

- ▶ (1 outdoor station for 1 indoor monitor):



(4C: The diameter of the RVVP wire is 0.5mm square)

Detailed connection diagram



- ▶ Ring time/quantity selection on the monitor (“dingdong” ring quantity for 3-10 times, other ringtones -example “beep”-ring time for 6-20 seconds ring):

When the monitor is standby, press the talk ☎ button and then press the intercom call ☎ button till the “BI” sound, the setting mode starts (for 10 seconds, the indicator lamp flashing), press the monitor ☎ button for increasing ring quantity/time, press the monitor ☎ button for decreasing the ring quantity/time. Press the talk ☎ button to confirm and exit.

- ▶ Unlocking time selection on the monitor (2s-20s):

When the monitor is standby, press the talk ☎ button and then, press the unlock ☎ button till the “BI” sound, the setting mode starts (for 10 seconds, the indicator flashing), press the monitor ☎ button for increasing the unlock time 2s-20s, press the unlock ☎ button for decreasing the unlock time 2s-20s, (every press increase/decrease by one second). Press the talk ☎ button to confirm and exit.

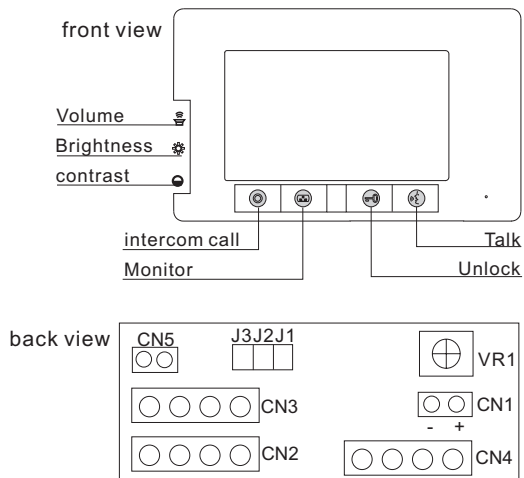
- ▶ Restore factory setting on the monitor:

Press the talk ☎ button till the power on, a long beep will sound, the restore factory setting finish.

- ▶ When a wifi master monitor need to connect the additional HD monitor ,the additional HD monitor ID setting as the below:

the wifi master monitor P2 connect the additional HD extension indoor monitor Cn4 press the key button, and charge the HD monitor power, the “di didi” sound, the master wifi monitor call the additional HD monitor ID number (2/3/4/5/ 6), the HD indoor monitor will ring, the additional HD monitor ID set finish.

► Indoor monitor:



► Notes for indoor monitor:

- ◆ CN1: is for a power, the negative "-" and the positive "+".
- ◆ CN2: connected with outdoor station 1.
- ◆ CN3: connected with outdoor station 2.
- ◆ CN4: connected with Indoor unit.
- ◆ CN5 is a switch button for open.
- ◆ J1 plug in when the outdoor station need the power from indoor monitor.
- ◆ J2 : spare.
- ◆ J3 is a ringtone selection jumper Pin.
- ◆ VR1: adjust the volume, clockwise for up, anticlockwise for down.

► Ringtones Selection on the monitor (7 ringtones cyclical selection):

When the monitor is standby, press the talk button and then press the monitor button till the "BI" sound, the setting mode starts(for 10 seconds, the indicator flashing), press the monitor button for ringtones cyclical selection. Press the talk button to confirm and exit.

4-wire villa intercom system diagram 2

► Extension Connection Diagram
(2 outdoor stations for max 6 indoor monitors):

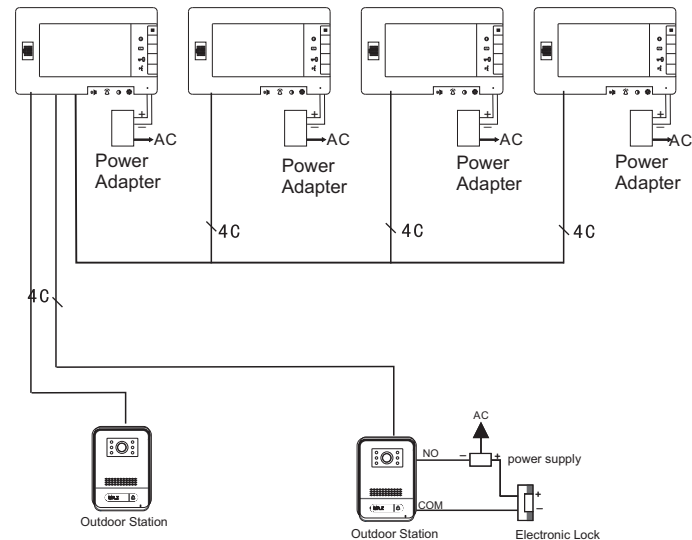
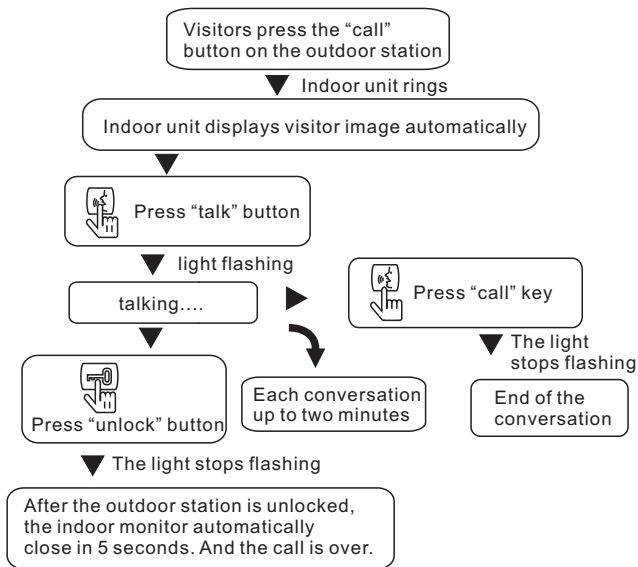


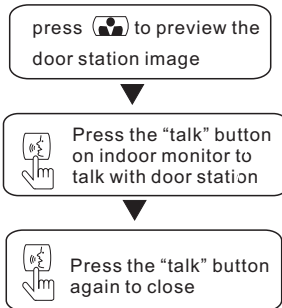
FIG. 3

(4C: The wire diameter of the RVVP4 is $\varnothing 0.5\text{mm}$, 0.75mm , 1.0mm)

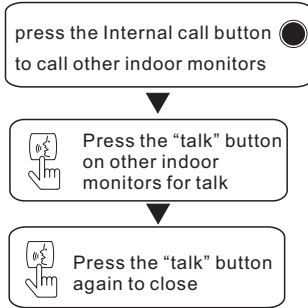
► Visitors call:



► Monitoring:



► Internal communication:



► Outdoor station:

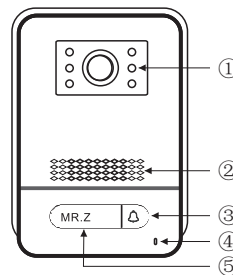


FIG.4 outdoor station backview

No.	Function Description
①	camera
②	horn hole
③	call button
④	microphone
⑤	nameplate

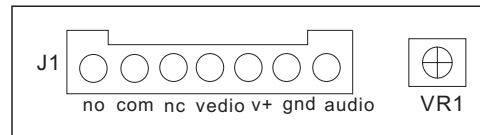


FIG.5 Rear view of outdoor station

► Notes for outdoor station:

- ◆ The outdoor station (audio,gnd,V+,video) is accordingly wired with the indoor monitor CN2 (audio,gnd,V+,video) .
- ◆ NC,NO and COM is a dry contact of a relay , NC and COM are connected to magnetic lock, NO and COM are connected to electronic lock.
- ◆ VR1 is a switch to adjust the volume, clockwise for up, anticlock for down.