

vacTron[®]

central vacuum systems

User Guide



CVX950

Cyclonic Filtration System

1. INTRODUCTION

First of all, we would like to thank you for choosing the CVX950 central vacuum system.

The purpose of the User guide manual for your Vactron central vacuum unit is to show you, the user, the correct operation and maintenance of your system so as to obtain the optimum performance from them. This manual should be considered an inseparable part of your central vacuum unit. Please read the manual carefully before using your central vacuum unit.



Important Points to remember when using your vacuum

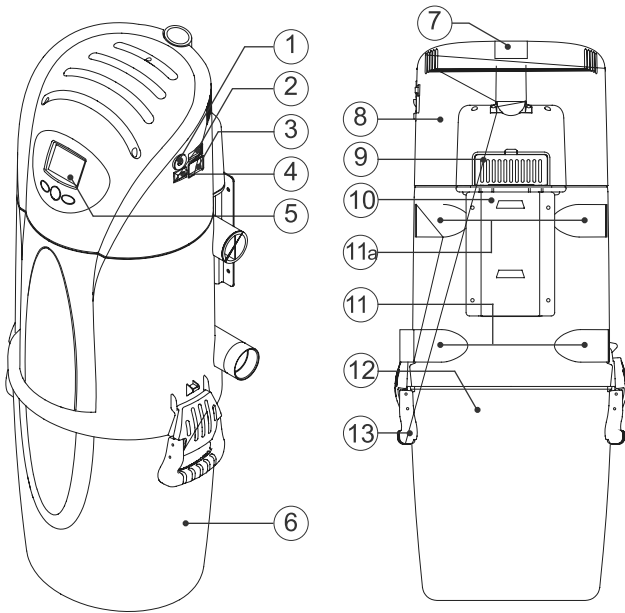
SAFETY WARNING

**READ THIS MANUAL CAREFULLY BEFORE USE, AND KEEP IT IN A SAFE PLACE.
CAUTION:**

WARNING. To avoid and reduce risks:

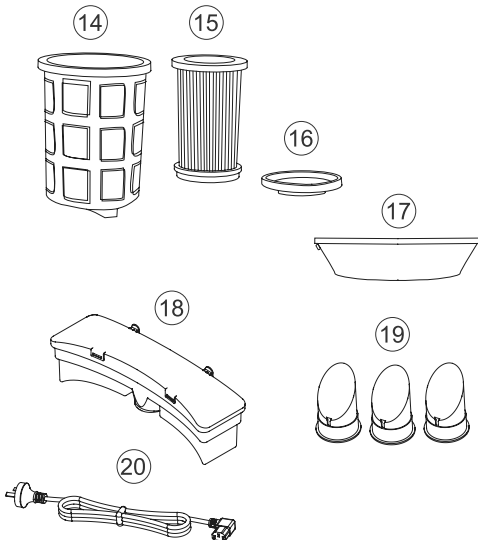
1. Check that the voltage on the label of your machine corresponds to that of your electrical supply.
2. This appliance is intended for interior use. Never use this appliance outdoors unless appropriate Weather Canopy is fitted.
3. Children may mistake this appliance for a toy. Never allow children to use this appliance.
4. Never vacuum directly into the vacuum inlet a burning object or an object that is smoking, such as cigarettes, matches or hot embers. Pay special attention to embers in the fireplace, even when they seem to be extinguished, since the speed of the air inside the pipes may ignite even the smallest spark.
5. Never vacuum liquids of any kind into your vacuum inlet.
6. Never use the appliance in the presence of a strong detergent, perfume, solvents or other caustic gases or liquids that may cause a fire.
7. Never vacuum objects that may damage the hose or dust container bags such as small toys, needles, etc.
8. Never vacuum sharp objects such as hairpins, toothpicks, etc.
9. Never vacuum leftovers after cooking, such as vegetable leaves and fish bones, or any other waste such as paper, cloths, sanitary towels or metallic objects.
10. Never rest heavy or sharp objects on the flexible hose.
11. Never use your ducted vacuum unit without the filter cartridges or any filtering element.
12. Turn off and disconnect the appliance immediately in the event that you notice any unusual noise, you smell burning, smoke, or any other unusual occurrence during use.
13. Do not try to repair the appliance or arrange for a company to do so that is not authorized by Electron Vacuum Systems Aust Pty Ltd to carry out the repair. Any manipulation of the equipment by personnel not authorized will invalidate the product's warranty.
14. This appliance is not intended for use by persons (including children) with reduced physical, sensory or mental capabilities, or lack of experience and knowledge, unless they have been given supervision or instruction concerning use of the appliance by a person responsible for their safety. Children should be supervised to ensure that they do not play with the appliance.
15. In the event of the power cable being damaged it should be replaced by the manufacturer, by its after-sale service department, or a similar qualified individual, so as to avoid any possible danger.
16. In the event that your installation does not work correctly, contact an authorised technical service provider closest to you or the manufacturer.

3. COMPONENT PARTS



- 1. Breaker switch
- 2. Socket for power cable
- 3. Socket for low-voltage cable
- 4. ON/OFF switch
- 5. LED or LCD panel (depending on model)
- 6. Dust container
- 7. Exhaust
- 8. Motor housing
- 9. Carbon filter (motor brushes)
- 10. Wall hanger
- 11a. Air inlet: Hepa + Pro-Tecta Filter
- 11b. Air inlet: Dust Bag/Self-cleaning Filter
- 12. Cyclonic cone housing
- 13. Dust container handle
- 14. Pro-Tecta filter
- 15. Hepa filter
- 16. Filter cartridge cap
- 17. Cyclonic Cone
- 18. Exhaust filter □
- 19. Air Inlet caps □□
- 20. Electrical power cord

Pro-Tecta + Hepa Filter



□ For use solely in the event that exhausting the unit to the outside is not possible

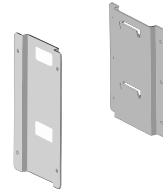
□□ For insertion in unused air inlets

6. FIXING THE CENTRAL VACUUM UNIT TO THE WALL

All Vactron central vacuums come supplied with a wall bracket comprising two interlocking pieces, one attached to the rear of the machine, the other to be attached to the wall onto which is slotted the other part of the bracket.

The central unit should be fixed permanently to the wall by means of this bracket.

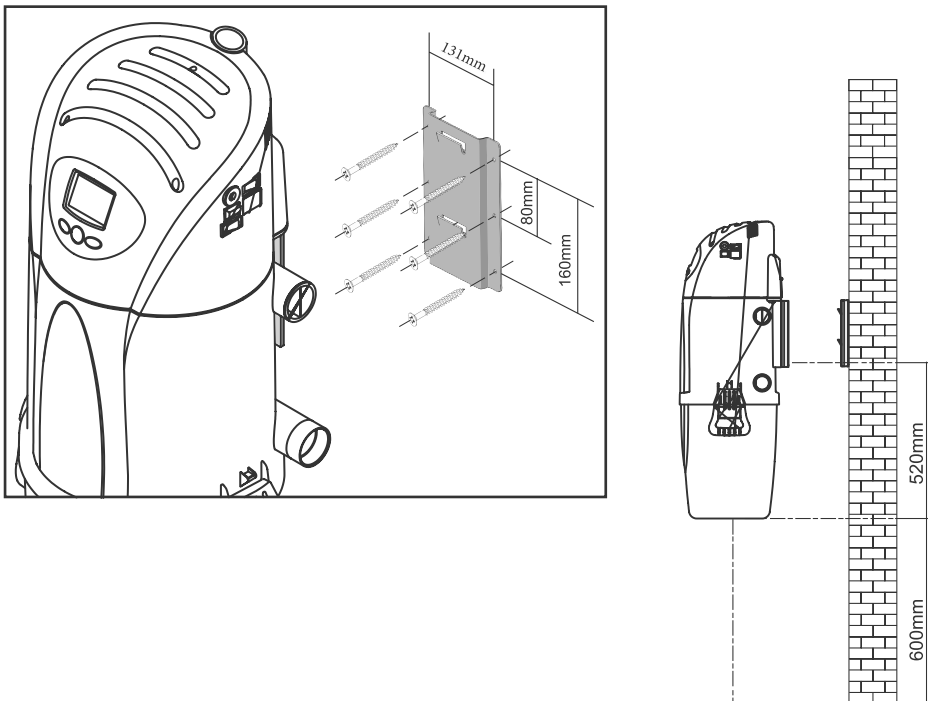
Wall hanging bracket



Vacuum unit hanging bracket

The central vacuum unit should be installed in a well-aired location providing easy access, far away from any heat source. Similarly, it should be located close to an electrical supply point. It should be placed at a height of approximately 0.6m from the floor which will allow for the emptying of the bin. It is advisable to leave a space on either side of the unit to permit easy handling of the unit.

Wherever possible the central vacuum should always be located on a supporting wall or a concrete wall to avoid vibrations. Once the location has been chosen, fix the bracket to the wall and hang the central vacuum unit onto the bracket.



BACK VIEW OF CVX950

DUCTING PIPE TO BE CONNECTED TO EITHER LEFT OR RIGHT ENTRY POINTS - USE EITHER OF THESE TWO ENTRY POINTS LOCATED AS PER PIC. BLOCK OFF ENTRY NOT USED WITH AIR INLET CAP.

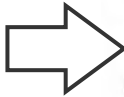
DUCTING PIPE TO BE CONNECTED TO EITHER LEFT OR RIGHT ENTRY POINTS - USE EITHER OF THESE TWO ENTRY POINTS LOCATED AS PER PIC. BLOCK OFF ENTRY NOT USED WITH AIR INLET CAP.

LEFT

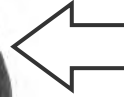
RIGHT



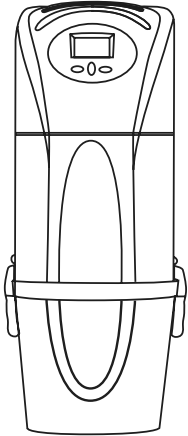
THESE LOW ENTRY POINTS ARE NOT USED FOR THE CYCLONIC FILTRATION SYSTEM. BLOCK OFF WITH AIR INLET CAPS.



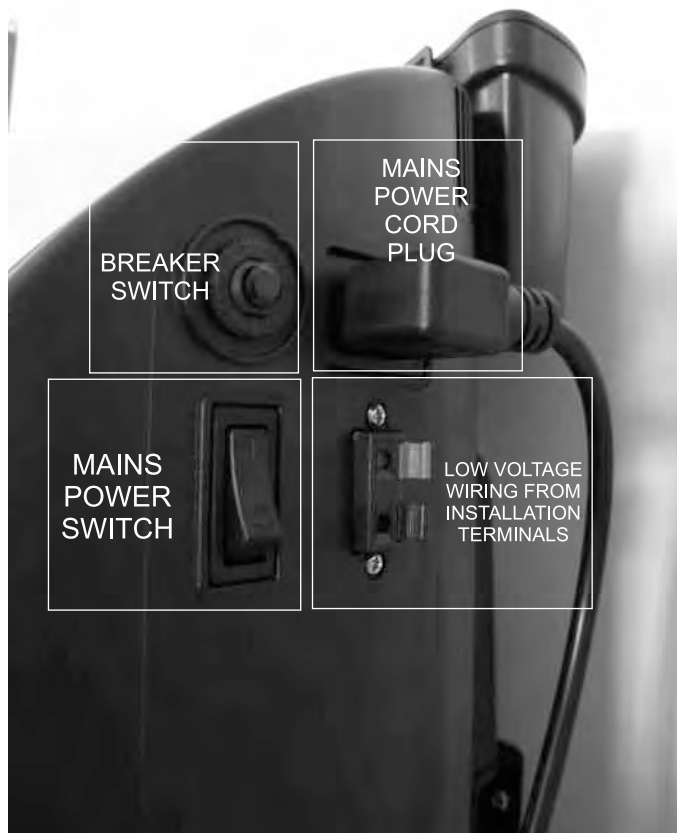
THESE LOW ENTRY POINTS ARE NOT USED FOR THE CYCLONIC FILTRATION SYSTEM. BLOCK OFF WITH AIR INLET CAPS.



CVX950 GENERAL INSTRUCTIONS



1. Connect the power cable. The “power” pilot on the LCD panel of the DIGITAL model will be permanently lit indicating that it is connected to the power supply. The central vacuum unit is now ready for use. Your appliance comes to you from the factory already prepared. You do not need to set it up or make any adjustments.
2. Connect the low voltage wires from the installation to the Terminal Block on side of power unit.
3. When hose is plugged into inlet point inside house, it will automatically turn on the power unit.



HOW TO WORK THE LCD CONTROL PANEL



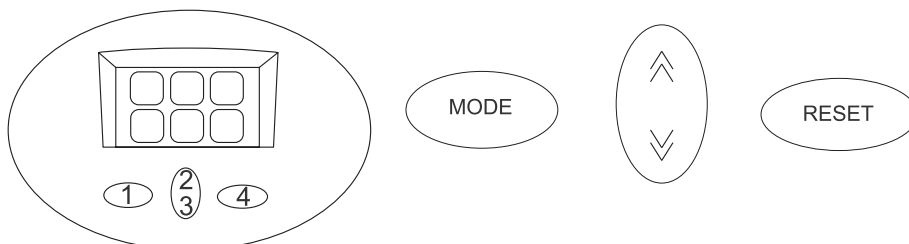
1. Power level
2. Filter cleaning indicator
3. Thermal and electrical protection.
4. Counter
5. Dust container full indicator
6. Contact your service agent

For manual operation of the central vacuum unit, gradually depress the key indicated by the symbol ↑ on the control panel to increase the vacuum power. To stop vacuuming, press the key indicated by the symbol ↓ on the control panel, then depress the key marked RESET to stop vacuuming.

To view the different control menus of the LCD panel depress the MODE key. The central vacuum must not be in use, otherwise it will not be possible to view the menus. If the system is operated from the hose handle, it is not possible to stop it manually using the RESET key on the central vacuum's control panel.

1. Power indicator: This provides us with an indication of the level of power at which the motor is working. This can be adjusted by depressing the keys with symbols ↑ and ↓ on the control panel or sliding the switch up or down on the hose handle.
2. Hepa filter indicator: When the small black frame is completely shaded the protective filter and the Hepa cartridge need cleaning. The Hepa filter warning indicator works for a pre-determined period, say 50 hours.
3. Electrical protection indicator: The indicator should flash if the thermostat or circuit breaker is activated. In this event you should switch off the central vacuum unit and disconnect it from the electrical supply. Wait until the thermostat cools down or depress the circuit breaker button and start the central vacuum up. If the central vacuum doesn't start up, get in contact with Electron's after-sale service team.
4. Indicator showing duration of operation: Depress the "MODEL" key and you will see the total length of time the central vacuum unit has been working.
5. Bin full indicator: When the small black bin is fully shaded this means the bin needs emptying. See section "Cleaning and Maintenance" for instructions on how this should be carried out.
6. Motor maintenance or replacement indicator: When the indicator starts to flash, maintenance or replacement of the central vacuum motor is required depending on the nature of the problem. If this symbol lights up notify Electron's technical service team.

INSTRUCTIONS FOR THE OPERATIONAL KEYPAD



1. “Mode” symbol : This key provides an indication of the length of time that the motor and the Hepa filter have been working. This button only works when the appliance is in stand-by mode. If the central vacuum unit is running, this indicator will not work.

2. ↑ symbol: when the unit is being operated manually, depressing this key increases the vacuum power.

3. ↓ symbol: when the unit is being operated manually, depressing this key decreases the vacuum power.

4. “Reset” symbol: this key resets the Hepa filter timer.

Turn off of the central vacuum unit: if you press the ↑ button in order to start up the unit, from the control panel, you will be able to turn it off, decreasing the power with the ↓ button and finally by pressing the “RESET” button.

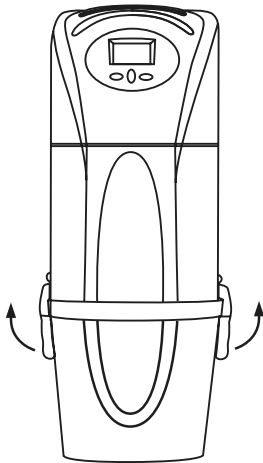
If you start up the unit from the hose you would not turn it off using the “RESET” button.

CLEANING AND MAINTENANCE

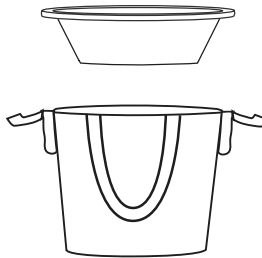
The effectiveness of the central vacuum unit and its optimum performance is dependent on its correct use and maintenance. It is recommended that cleaning and maintenance is undertaken on a regular basis to prevent mechanical breakdowns.

The central vacuum unit must be disconnected from the electrical supply.

EMPTYING THE DUST CONTAINER

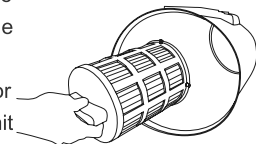
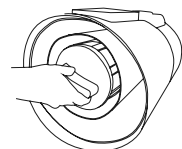


1. Detach the container by unfastening the clamps.
2. Remove the Cyclonic Filter.
3. Empty the dust container.
4. Ensure the Cyclonic Filter is repositioned correctly



CLEANING AND MAINTENANCE OF THE FILTER HEPA + PRO-TECTA

1. Detach the container from the central vacuum unit.
2. Access the protective filter located inside and remove it by turning it 90 ° anti-clockwise.
3. Remove both the cartridges together.
4. This protective filter is re-useable and can be washed using neutral soap and water. Wait until it is completely dry before refitting it.
5. To access the Hepa filter follow the same procedure as for the protective filter and wash in the same way. Don't forget to wait until the filter is dry before refitting it.
6. Check that both filters are in perfect condition. Never refit damp or damaged filters. Also, please note that to use the central vacuum unit without filters would damage it.
7. Re-position the Hepa filter inside the Pro-Tecta filter and fit both filters together by turning the handle clockwise to lock the filters in place
8. Re-fit the central vacuum dust container.



Manufacturer's Standard Warranty

Electron Vacuum Systems (Aust.) Pty.Ltd. hereby warrants, subject to the conditions specified herein, to repair or at their option replace;

1. Any part of the Power Unit supplied herewith which, proves to be defective by reason of faulty workmanship or materials without charge for labour or parts for a period of 24 months for domestic/household use or 12 months for commercial use, from date of Original Retail Purchase.

2. Any part of the cleaning tools, wands and hose supplied in the kit which proves to be defective by reason of faulty workmanship or materials without charge for labour or parts for a period of 12 months from date of Original Retail Purchase.

'Our goods come with guarantees that cannot be excluded under the Australian Consumer Law. You are entitled to a replacement or refund for a major failure and for compensation for any other reasonably foreseeable loss or damage. You are also entitled to have the goods repaired or replaced if the goods fail to be of acceptable quality and the failure does not amount to a major failure.'

(This warranty applies in Australia only. For units sold outside Australia, please refer to the authorised Dealer/Agent in your country for warranty details)

Warranty Conditions

1. This warranty only applies provided that the Ducted Vacuum System:

- has been operated in accordance with the instructions contained on the power unit and in the owner's manual furnished with the vacuum system,
- has not been subjected to misuse, abuse, negligence or accident,
- has not been repaired, modified or tampered with by any one other than an Authorised Dealer/Agent.

2. This warranty does not cover:

- power units with defaced serial/identification numbers,
- ingress of water or other liquid substance into motor blower assembly,
- incorrect maintenance of vacuum system,
- motor turbine assembly burn up, due to obstructed ventilation holes, lightning strike, application of over voltage, ingress of sand, mortar or other materials into ventilation holes,
- fair wear and tear & consumables e.g. filter, motor brushes, motor bearings, cleaning tools etc.
- use of the vacuum system without the filter installed,
- travelling costs to and from the location of the vacuum machine,
- damage on other parts of the installation such as pipes, inlets and removal or reinstallation costs.

3. Where an authorised Dealer/Agent or other installer, installs the system, please refer to your installation contract for warranty procedures and terms. For systems supplied as a Do-it-yourself-kit, the warranty is a Manufacturer's Warranty only and covers the cost of repair in the factory only, (It does not cover freight in returning any part to and from the factory).

How to obtain Service Under Warranty

The complete Vacuum Power Unit must be presented for Service, together with proof of ownership such as purchase invoice or installation contract to your Dealer/Agent where the vacuum system was purchased.

If the vacuum unit is returned to your Dealer/Agent (for repairs to be carried out under warranty) in an unclean condition, a charge may be made for cleaning.

Electron Vacuum Systems (Aust) Pty.Ltd. is not responsible for the installation of the Ducted Vacuum system, faulty workmanship or incorrect installation by others. Any queries should be directed to the installer or installing company.

For all your Sales and Service requirements,

Please contact your Dealer/Agent from where the Ducted Vacuum System was purchased.

CVX950

Vacuum Motor Specifications	
Peripheral By-pass discharge	YES
Turbine Stages	2
Double ball bearings	YES
Diameter of Motor mm	145
Air Watts	710
Airflow l/s (max.)	59
Sealed Vacuum mm H2O	3620
RPM (max.)	28900
Label Rated Electrical Watts	1700
Control Circuit 12 V DC	YES
Control Current 100mA	YES
Nominal Voltage 240 V AC	YES

Power Unit Physical Specifications	
Overall Height (mm)	1000
Overall Diameter (mm)	410
Hybrid Triflow Filtration Compatible System	YES
Cyclonic Filtration with Hepa Filter	YES
Silencer for Exhaust	YES
Left & Right ducting entry points	YES
Dirt Canister port view	YES
Dirt Canister Capacity litres	25
Wall Mounting of Power Unit	YES

Authority Approvals	
"C" Tick Compliance EMC - AS/NZS 1044	YES



Head Office
48 Jellicoe Drive,
Scoresby Victoria
Australia 3179
Tel: 03 9764 8633

