

UTOFIA UFS

Industrial Lighting / High Bay

UTOFIA UFS-UFS200W5KD05

Features

- Robust Aluminium Alloy body in black powder coat finish
- Sensor ready - easy sensor plug-in base included as standard
- Built in 0-10V, PWM, Resistance 3-in-1 dimming driver
- Unique heatsink design
- High ambient temperature rating
- Long lifetime: 50,000hrs @ L70B50
- IP65 and IK07 rated
- Instant start up (no flickering or humming)
- Surface or pendant mounting (eye bolt supplied)



Applications

- Factories
- Warehouses
- Loading docks
- Industrial plants
- Sports, exhibition halls
- Service bays

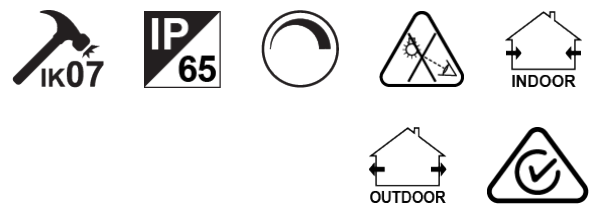
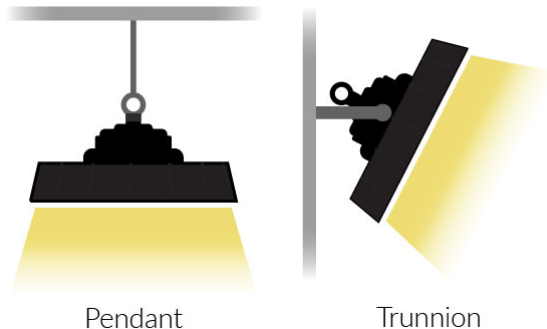
Options

- Motion sensor with daylight detection
- DALI dimming
- High efficacy 170lm/W
- White powder coat finish

Standards

- Manufactured under ISO 9001:2015 to standards
- IEC/AS/NZS 60598.1
- IEC/AS/NZS 60598.2.1
- IEC/AS/NZS CISPR 15

Mounting Methods



Specifications

Model	UFS200W5KD05
Nominal Power (W)	200
Input Voltage (V)	100 - 277
Frequency (Hz)	50 / 60
Luminous Flux (lm)	31810
Efficacy (lm/W)	159
CRI (Ra)	≥80
Power Factor	>0.90
CCT (K)	5000
Beam Angle (°)	110
Rated Life L70B50 (hr)	50000
Operating Temp. (°C)	-40 to 50
Operating Humidity	10% to 90% RH
Inrush current, Ipeak (A)	130
Inrush width, Twidth (μs)	150
No of luminaire per 16A MCB Type B	6
Weight (kg)	3.9

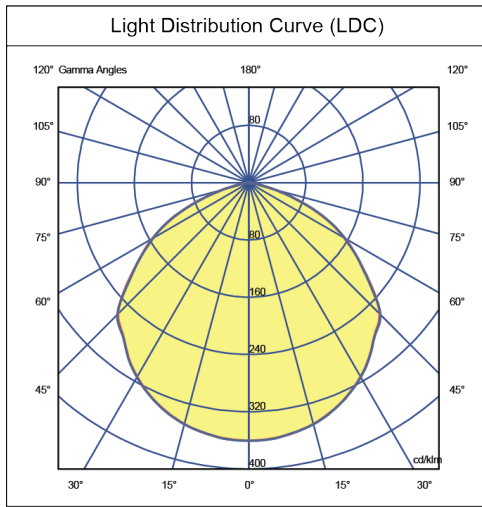
Packaging Details

Model	UFS200W5KD05
Product Carton Qty per box (pc)	1
Product Carton Dimension (mm)	400 x 400 x 210

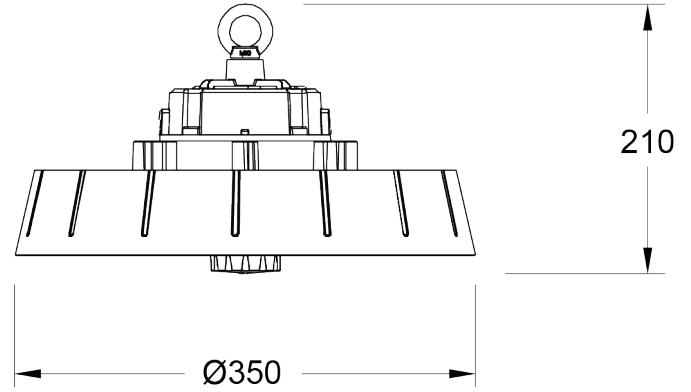
UTOFIA UFS

Industrial Lighting / High Bay

Lighting Data



Dimensions



davislighting.com



davislighting.com.au

All photometric and electrical data published are of $\pm 10\%$ tolerance. Characteristics and specifications may change without notice. All electrical installations / connections should be carried out by a suitably qualified person. Application images are indicative only and may not contain actual Davis product. The information contained in this publication is typical and must not be interpreted as a guarantee of individual product performance.

Generated on: 26-02-2021
Copyright © 2021 Davis Lighting. All Rights Reserved.