

► Technical parameters of outdoor station

Product Material	aluminium alloy
Transmission Mode	digital transmission
Working voltage	DC12V
Operating temperature	-20°C ~ +55°C
Operating current	60-80mA
Standby current	10-20mA
Installation Method	wall mounting type
Installation Dimension	130x54x40mm

► Technical parameters of Indoor unit

Working voltage	DC12V
Call duration	120s
Call way	two-way communication
Operating temperature	-20°C ~ +55°C
Operating current	60-80mA
Standby current	10-20mA
Display Screen	seven-inch color LCD screen
Resolution	800×480

## 4WIRES INTERCOM SYSTEM MANU

### Video Door Phone

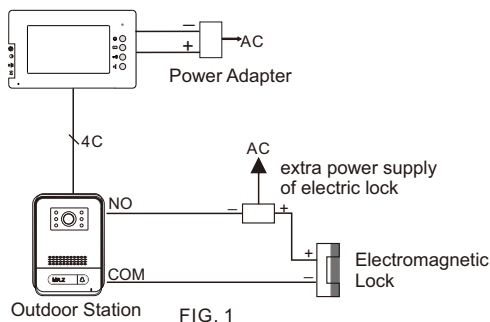
# OPERATING AND INSTALLATION GUIDE

model:RA302125F-H

## 4-wire villa intercom system diagram1

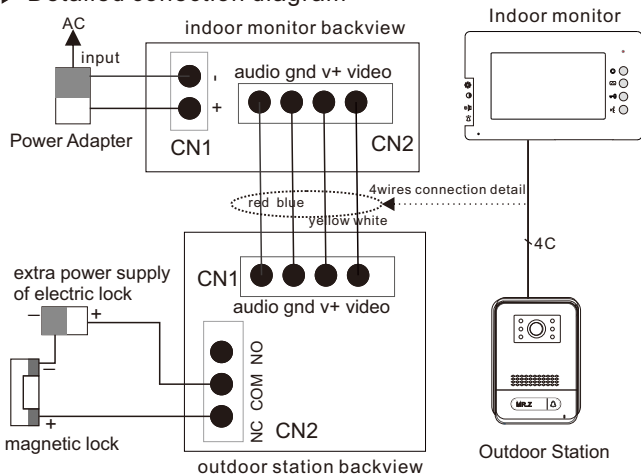
### Standard Set Diagram

- ▶ (1 outdoor station for 1 indoor monitor):



(4C: The diameter of the RVP wire is 0.5mm square)

### Detailed connection diagram



- ▶ Ringtones Selection on the monitor (7 ringtones cyclical selection):

When the monitor is standby, press the talk  $\text{☎}$  button till the “BI” sound, then press the monitor  $\text{☎}$  button till the “BI” sound, the setting mode starts (for 10 seconds, the indicator flashing), press the monitor  $\text{☎}$  button for ringtones cyclical selection. Press the talk  $\text{☎}$  button to confirm and exit.

- ▶ Ring time/quantity selection on the monitor (“dingdong” ring quantity for 3-10 times, other ringtones -example “beep”-ring time for 6-20 seconds ring):

When the monitor is standby, press the talk  $\text{☎}$  button till the “BI” sound, then press the intercom call  $\text{☎}$  button till the “BI” sound, the setting mode starts (for 10 seconds, the indicator lamp flashing), press the monitor  $\text{☎}$  button for increasing ring quantity/time, press the unlock  $\text{☎}$  for decreasing the ring quantity/time. Press the talk  $\text{☎}$  button to confirm and exit.

- ▶ Unlocking time section on the monitor (2s-20s):

When the monitor is standby, press the talk  $\text{☎}$  button till the “BI” sound, then press the unlock  $\text{☎}$  button till the “BI” sound, the setting mode starts (for 10 seconds, the indicator flashing), press the monitor  $\text{☎}$  button for increasing the unlock time 2s-20s, press the unlock  $\text{☎}$  for decreasing the unlock time 2s-20s, (every press increase/decrease by one second). Press the talk  $\text{☎}$  button to confirm and exit.

- ▶ Restore factory setting on the monitor:

Press the talk  $\text{☎}$  button till the power on, a long beep will sound, the restore factory setting finish.

► Indoor monitor:

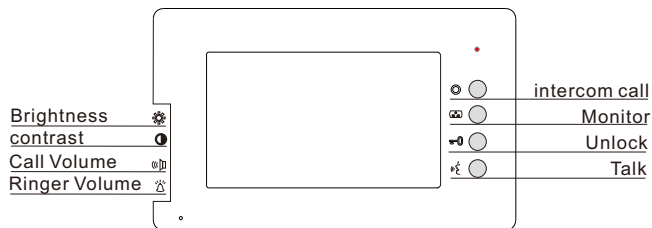


FIG. 6 front view

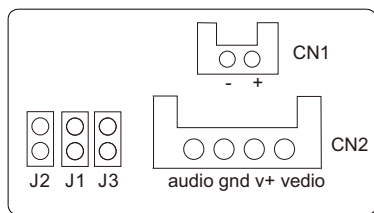


FIG. 7 back view

► Notes for indoor monitor:

- ◆ CN1 is for a power, the negative “-” and the positive “+”.
- ◆ The indoor monitor CN2 (audio、gnd、V+、video) is accordingly wired with the outdoor station CN1(audio、gnd、V+、video).
- ◆ J1 plug in when the outdoor station need the power from indoor monitor.
- ◆ J2 is a video jumper Pin, at the time of two or more indoor monitors connection, The J2 on the furthest indoor monitor need plug in, the J2 on the other monitors is unplugged.
- ◆ J3 is a ringtone selection jumper Pin, at the time of two or more indoor monitors connection, the J3 on the one of the monitors need plug in, other monitors J3 is unplugged.

4-wire villa intercom system diagram 2

► Extension Connection Diagram  
(1 outdoor station for max 4 indoor monitors):

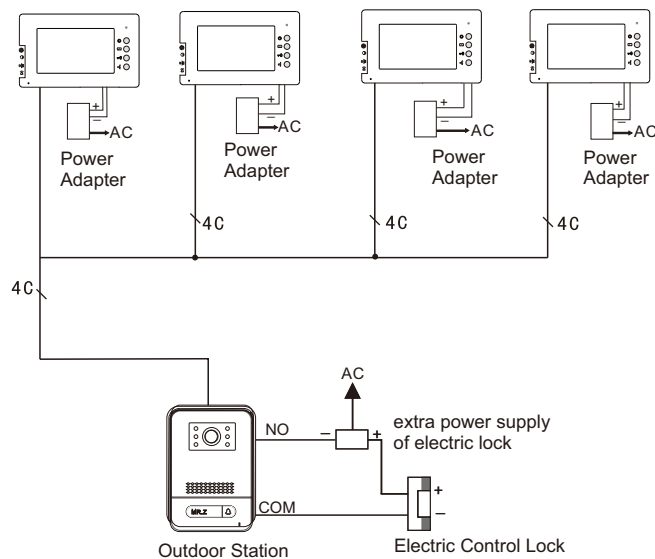
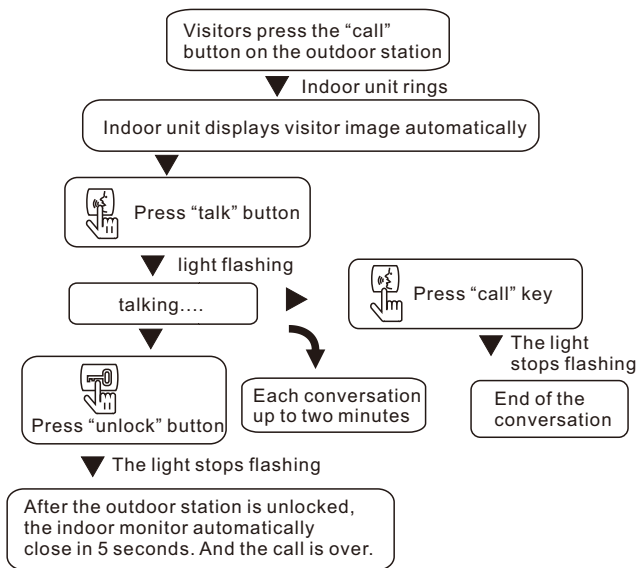


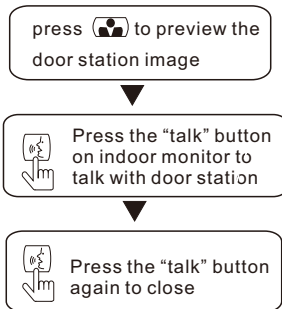
FIG. 3

(4C: The diameter of the RVVP wire is 0.5mm square)

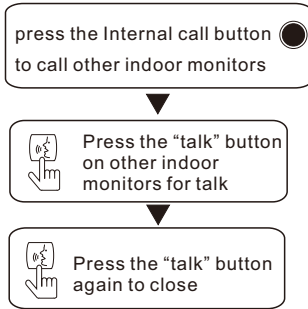
► Visitors call:



► Monitoring:



► Internal communication:



► Outdoor station:

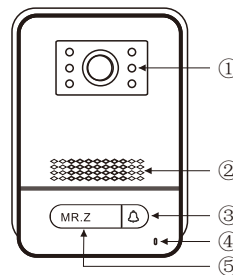


FIG.4 outdoor station backview

No.	Function Description
①	camera
②	horn hole
③	call button
④	microphone
⑤	nameplate

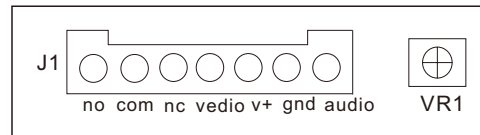


FIG.5 Rear view of outdoor station

► Notes for outdoor station:

- ◆ The outdoor station (audio,gnd,V+,video) is accordingly wired with the indoor monitor CN2 (audio,gnd,V+,video) .
- ◆ NC,NO and COM is a dry contact of a relay , NC and COM are connected to magnetic lock, NO and COM are connected to electronic lock.
- ◆ VR1 is a switch to adjust the volume, clockwise for up, anticlock for down.